

Calorimetric measurement system for monitoring changes in flow and consumption as well as for leak and energy efficiency measurements. No additional pressure or temperature compensation is necessary. All measured values are recorded digitally, making very rapid, high-precision measurement possible. High measurement accuracy due to defined measurement section.

- Display: Current consumption in l/min, m³/hr, etc. and total consumption (meter reading) in m³, l, etc.
- Total consumption (meter reading) can be reset to "zero" with keypad
- Display can pivot 180°, measuring device can be unscrewed
- Measured quantities: m³/hr, l/min (1000 mbar, 20 °C) for compressed air or Nm³/h, NI/min (1013 mbar, 0 °C) for gases
- Units: m³/hr, m³/min, l/min, etc. can be selected with keypad
- Gas types: Compressed air (= standard), other gas types such as nitrogen, argon, CO₂, etc. can be selected with hand-held measurement unit
- Accuracy: ± 1.5% of measured value
- Digital output: RS 485 interface, Modbus RTU for connecting to energy management systems, building management systems, etc.
- Housing material: Polycarbonate (IP65)
- Measurement section material: Stainless steel 1.4301

Not included in delivery:

- Wall power supply
- Portable hand-held measurement unit with mobile data logger

Measuring system	Calorimetric measurement
Medium	Compressed air, neutral gases
Max. operating pressure	16 bar
Temperature range	-30 °C to 80 °C
Flow rate output	Analogue 4 to 20 mA, pulse output (galvanically separated)
Operating voltage	24 V DC
Display	Background lighting

Flowmeter incl. measurement section with threaded connection

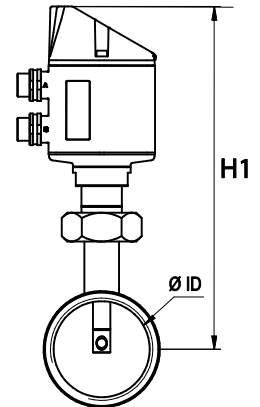
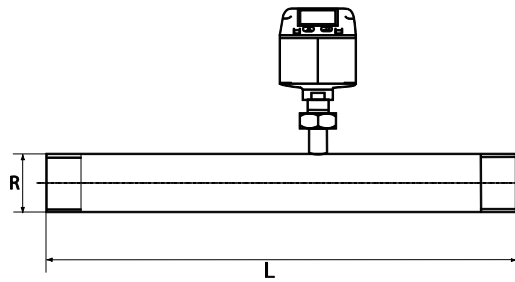
Art. No.	Type No.	Measuring range	Thread	L mm	H1 mm	Tube I.D. mm
135870	DFMM08-14	0.8 l/min to 90 l/min	R 1/4	194.0	165.7	8.9
135871	DFMM15-12	0.2 m ³ /h to 90 m ³ /h	R 1/2	300.0	165.7	16.1
135872	DFMM20-34	0.3 m ³ /h to 170 m ³ /h	R 3/4	475.0	165.7	21.7
135873	DFMM25-1	0.5 m ³ /h to 290 m ³ /h	R 1	475.0	165.7	27.3
135874	DFMM32-114	0.7 m ³ /h to 530 m ³ /h	R 1 1/4	475.0	165.7	36.0
135875	DFMM40-112	1.0 m ³ /h to 730 m ³ /h	R 1 1/2	475.0*	165.7	41.9
135876	DFMM50-2	2.0 m ³ /h to 1195 m ³ /h	R 2	475.0*	165.7	53.1

* Attention:

Shortened inlet section! Please observe the recommended minimum inlet section on site!
(Length = 10 x inner diameter pipe)



DFMM15-12



Flowmeter incl. measurement section with flanged connection (DIN EN 1092-1)

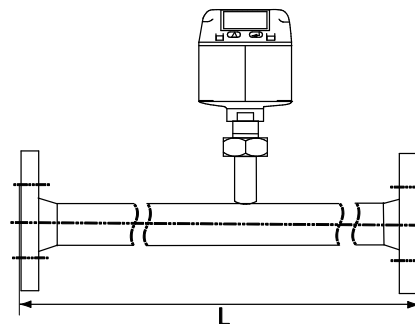
Art. No.	Type No.	Measuring range	DN	L mm	H1 mm	Tube I.D. mm	Flange-Ø D mm	Pitch circle Ø K mm	No. of bolt holes
135877	DFMM15-FL15	0.2 m ³ /h to 90 m ³ /h	15	300.0	165.7	16.1	95.0	65.0	4 x 14
135878	DFMM20-FL20	0.3 m ³ /h to 170 m ³ /h	20	475.0	165.7	21.7	105.0	75.0	4 x 14
135879	DFMM25-FL25	0.5 m ³ /h to 290 m ³ /h	25	475.0	165.7	27.3	115.0	85.0	4 x 14
135880	DFMM32-FL32	0.7 m ³ /h to 530 m ³ /h	32	475.0	165.7	36.0	140.0	100.0	4 x 18
135881	DFMM40-FL40	1.0 m ³ /h to 730 m ³ /h	40	475.0*	165.7	41.9	150.0	110.0	4 x 18
135882	DFMM50-FL50	2.0 m ³ /h to 1195 m ³ /h	50	475.0*	165.7	53.1	165.0	125.0	4 x 18

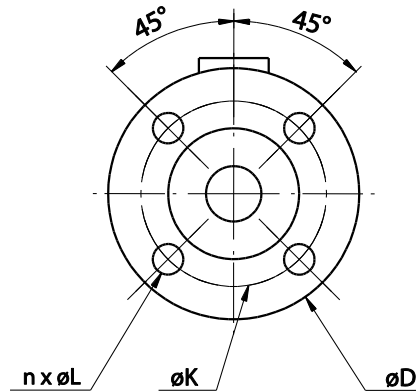
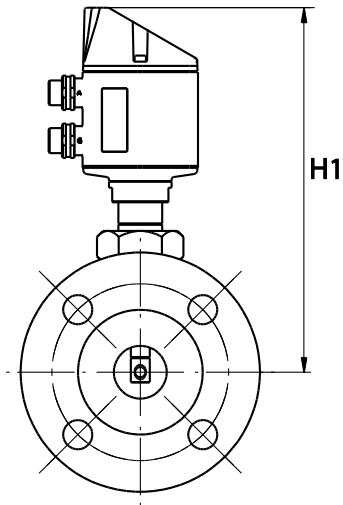
* Attention:

Shortened inlet section! Please observe the recommended minimum inlet section on site!
(Length = 10 x inner diameter pipe)



DFMM15-FL15





Accessories for flowmeter		
Art. No.	Type No.	Description
135865	SNT-230/24	Wall power supply 100-240 V AC / 24 V DC, 5-pole, M12x1



SNT-230/24